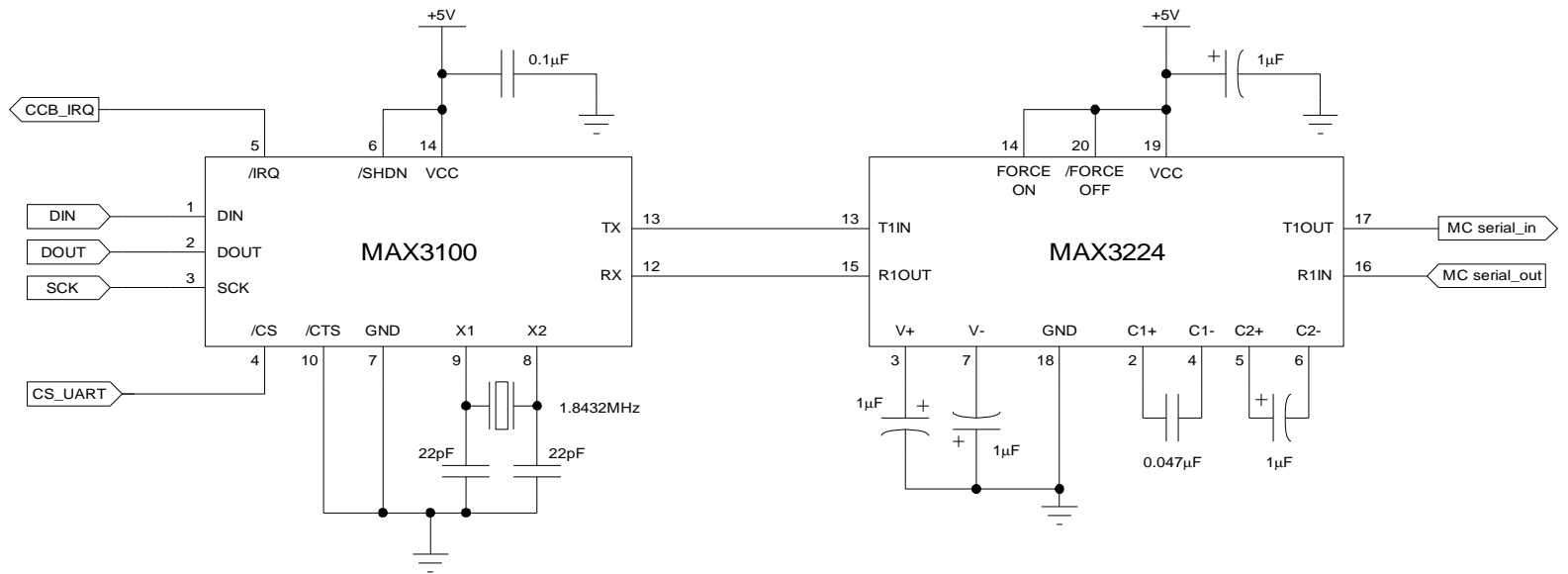
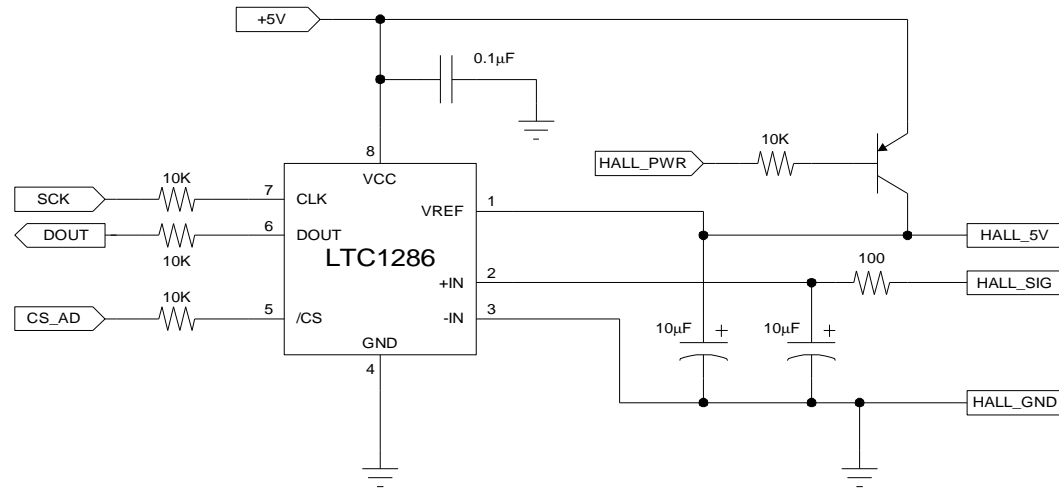


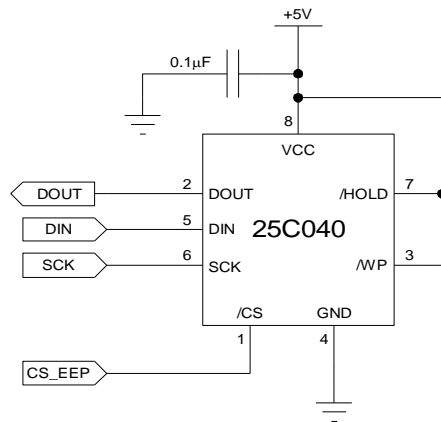
Main Controller and RDB



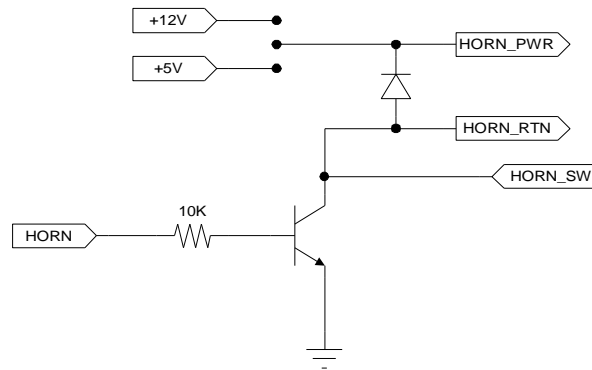
Motor Controller Communication



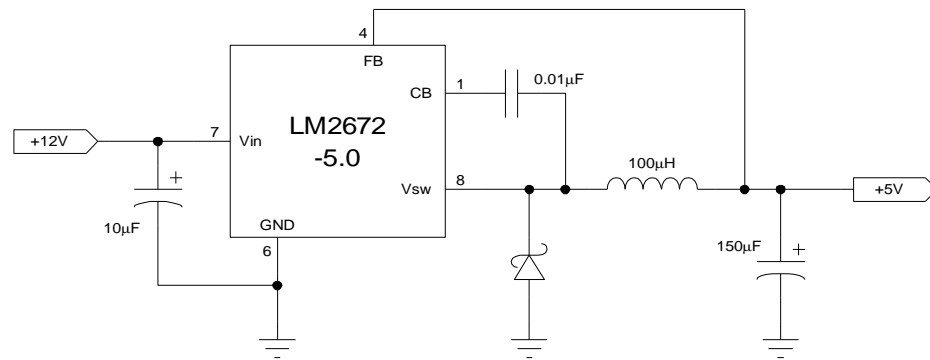
A/D Converter



Odometer EEPROM



Horn



Power Supply