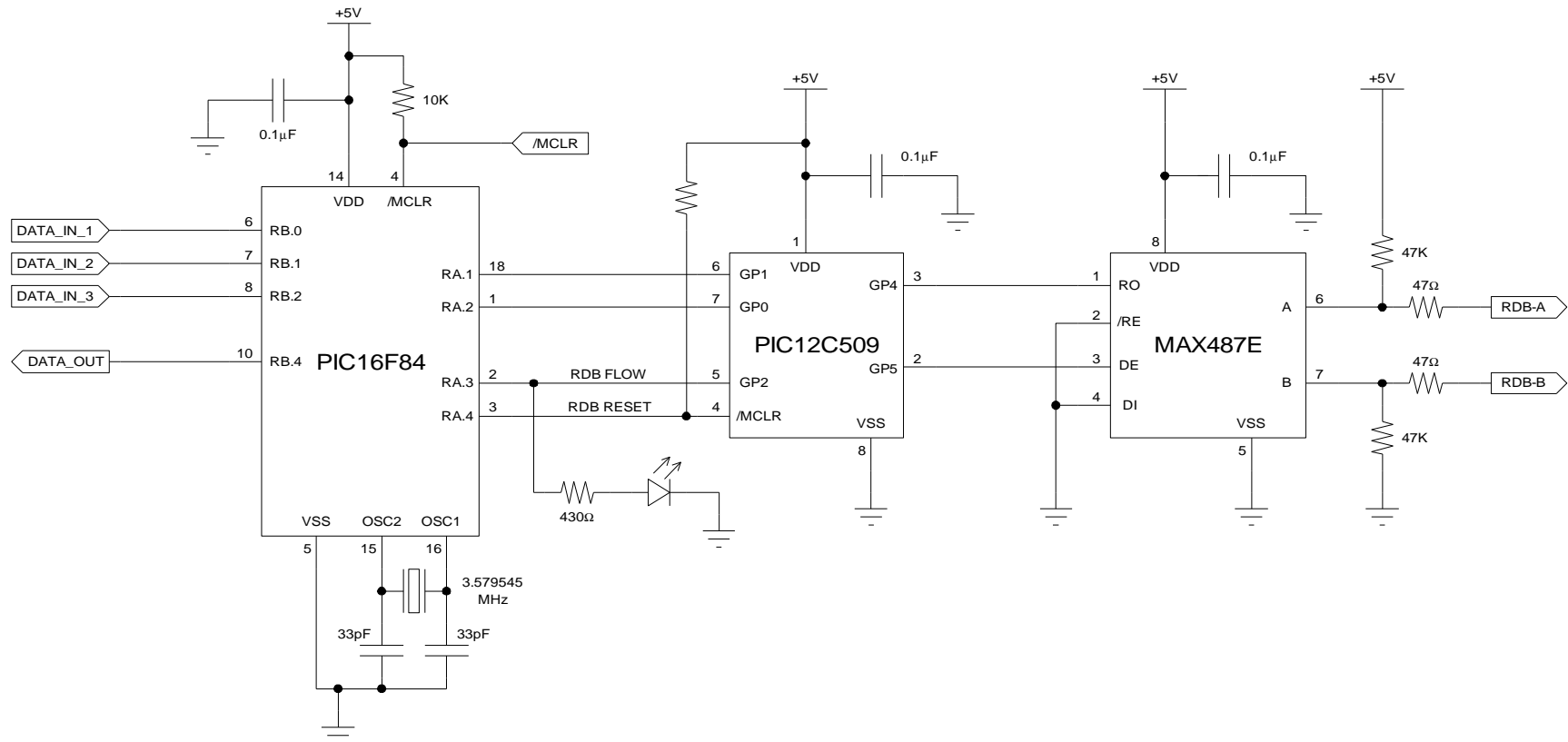
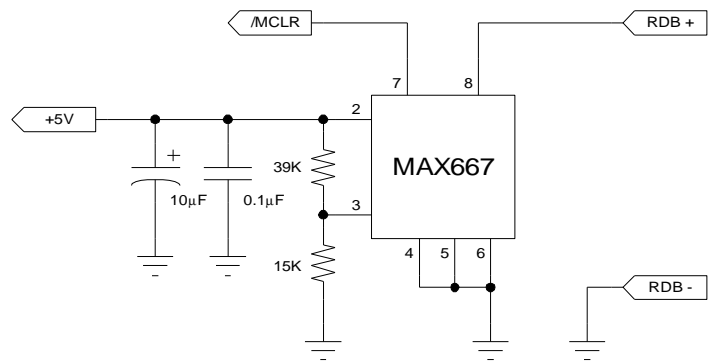


Battery Sensor



Main Circuit



Power Supply