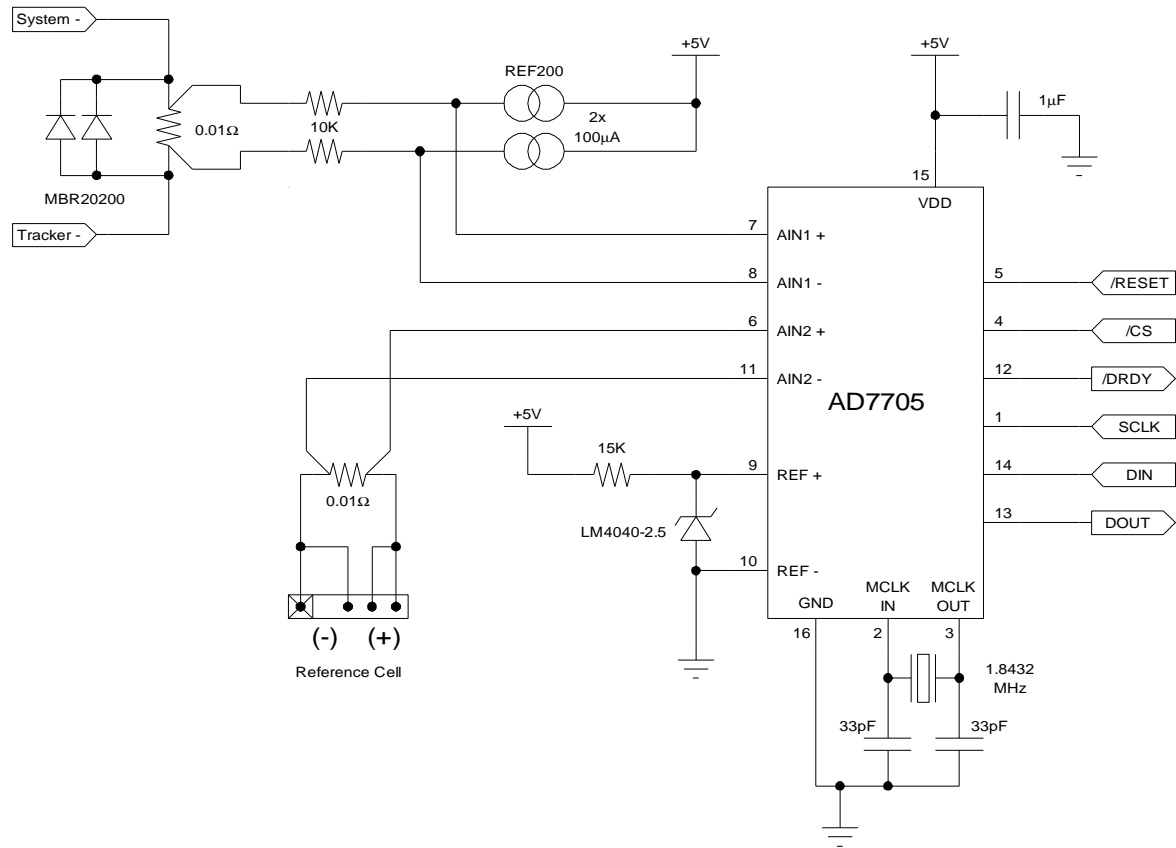
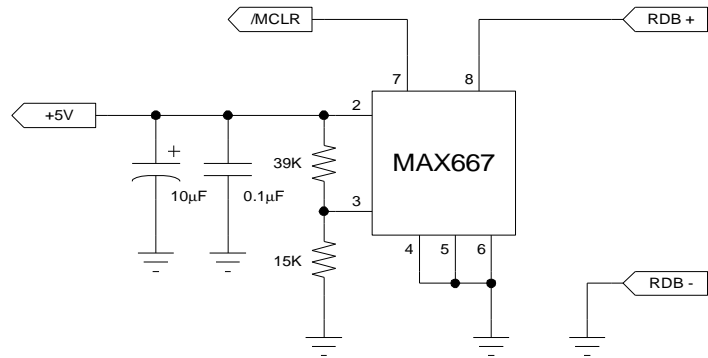


Main Circuit



A/D Converter



Power Supply